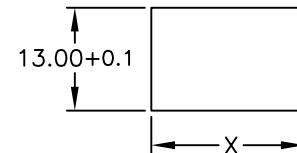
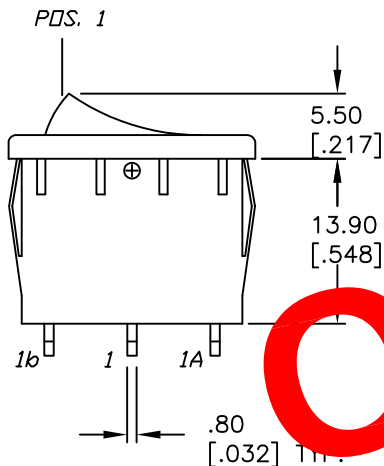


RECOMMENDED P.C.B. LAYOUT

PANEL THICKNESS	X dimension
0.75-1.25 [0.030-.049]	19.2-0.1 [0.756]
1.25-2.0 [0.049-.079]	19.4-0.1 [0.764]
2.0-3.0 [0.079-.118]	19.8-0.1 [0.780]



PANEL CUTOUT
NOT TO SCALE



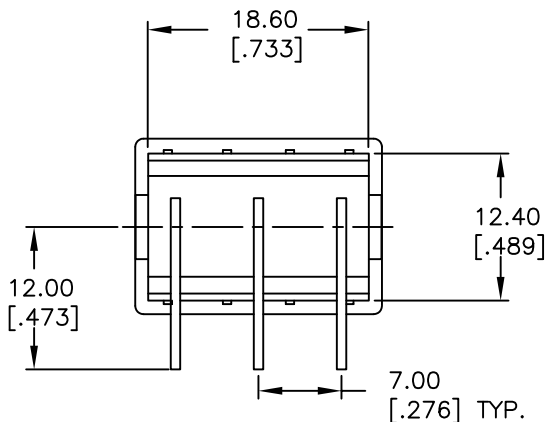
SWITCH FUNCTION		
POS. 1	POS. 2	POS. 3
(ON)	OFF	ON
1-1a	OPEN	1-1b

()=Momentary



CIRCUIT: SPDT

OBSOLETE
November 2017
PCR 23116



NOTES:

1. ALL DIMENSIONS IN MM [INCH]
2. GENERAL TOLERANCE: X.X=±0.4
X.XX=±0.25
3. TERMINAL NOS. FOR REF ONLY.
4. RATING: 15A @ 125VAC OR
6A @ 250VAC
5. MATERIALS: TERMINALS: Silver Plated Copper Alloy
CONTACTS: Coin Silver, Silver Plated
6. ELECTRIC LIFE: 10,000 cycles
7. CONTACT RESISTANCE: <20 Mega Ω
8. INSULATION RESISTANCE: >1000 Mega Ω
9. DIELECTRIC STRENGTH: >1500 V 1 minute
>3000 V between poles

E-SWITCH®

REV.	ECN No.	DESCRIPTION	DATE	CHKD
B	11513	REVISED TO MAKE R1966J	6/12/01	CB

TITLE				
R1966J BLK BLK HR				
SCALE	DATE	DR	DWG	REV
1.5:1	5/25/01	CB	M301227	B

THE INFORMATION CONTAINED IN THIS DOCUMENT IS PROPRIETARY TO E-SWITCH AND IS NOT TO BE COPIED OR TRANSFERRED